

Line pressure regulator HD400

- Inlet pressure max 440 bar/ operating pressures up to 400 bar



Fittings and gauges optional

Description:

The Line pressure regulator HD400 is a single-stage pressure regulator for high pressure applications (in- and outlet).

The HD400 is designed as a piston pressure-regulator and reduces the pressure of compressed gases or liquids to a maximum outlet pressure of 400 bar.

Application area:

- This pressure regulator is designed for use with high inlet and outlet pressures.
- High pressure technology
- Pilot pressure regulator e.g. in controlled systems in connection with dome pressure regulators.
- The high-grade steel construction with gaskets made of Viton compound permits the use of aggressive media with HD 400.

Technical details:

| | |
|------------------------|---|
| Body: | brass, nickel and matt chrome plated or stainless steel |
| Seat: | PCTFE |
| Gaskets: | Viton / NBR |
| Max. inlet pressure: | 440 bar |
| Outlet pressure range: | 10 – 400 bar |
| Operating temp.: | -20°C to +70°C |
| Dimensions (WxHxD): | 131 x Ø53 (mm) |
| Weight: | 865g |
| Threads: | in- and outlet |

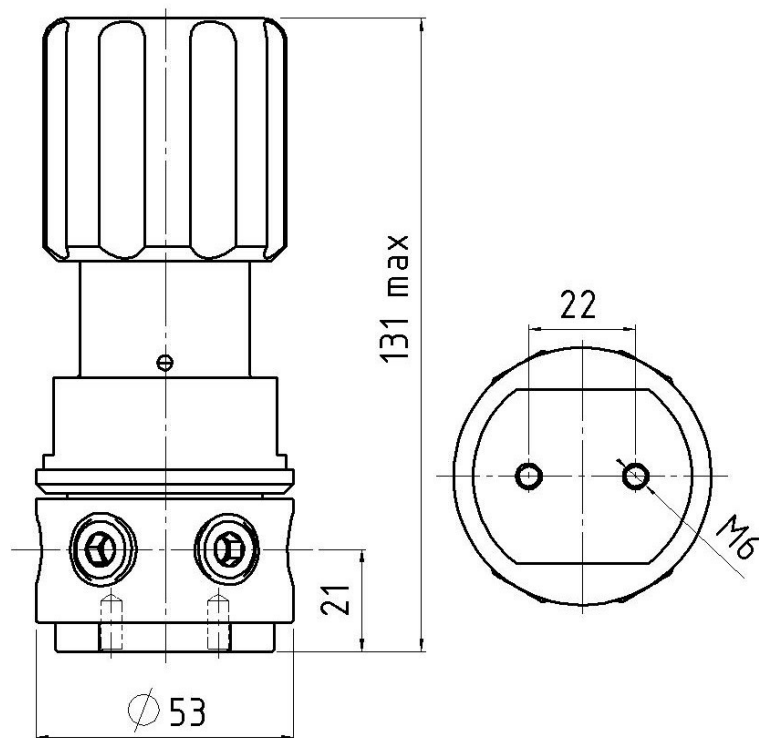
Hornung Quality standard

The company Hornung is certified to **DIN EN ISO 9001 and ISO 14001:2009**. All single parts are manufactured, assembled and tested by in-house production. The finished parts are therefore under all criteria of German quality control with 100% final inspection.

Hornung GmbH
Rathenaustraße 55, 63263 Neu-Isenburg

Phone: +49 6102 7883-70
Fax: +49 6102 7883-40

www.hornung.org
info@hornung.org



Application area:

This pressure regulator is used especially for the withdrawal of a less amount of gas at high inlet and outlet pressures.

Due to its small size is this pressure regulator particularly suitable for use as a pilot pressure regulator e.g. in controlled systems in connection with dome pressure regulators.

The stainless steel construction with elastomere made of viton compound permits the use of aggressive media with this pressure regulator. We urgently recommend the pre-connection of a Fine filter, with at least a level of purity of up to 40 μ , as well as the subsequent integration of suitable safety valves against unduly high pressure.

Ordering information:

Material:

- 1 = brass, nickel and matt chrome plated
- 2 = stainless steel electropolished

Gaskets:

- 1 = NBR
- 2 = Viton

Gauge:

- 1 = without gauges
- 2 = outlet pressure gauge
- 3 = in- and outlet pressure gauges

Outlet option:

- 00 = NPT 1/4" f
- 03 = compression fitting 3mm
- 06 = compression fitting 6mm
- 08 = compression fitting 8mm
- 10 = compression fitting 10mm
- 12 = compression fitting 12mm

Order example:

| | |
|----------------|-------|
| Regulator type | |
| 45 | HD400 |

| | | | | | |
|------|------|---------|-------|--------|--------|
| 45- | 1 | 1 | 3 | 06 | Medium |
| Type | Mat. | Gasket. | Gauge | Option | Medium |

Accessories:

See total catalogue segment

7. Gauges, compression fittings and accessories